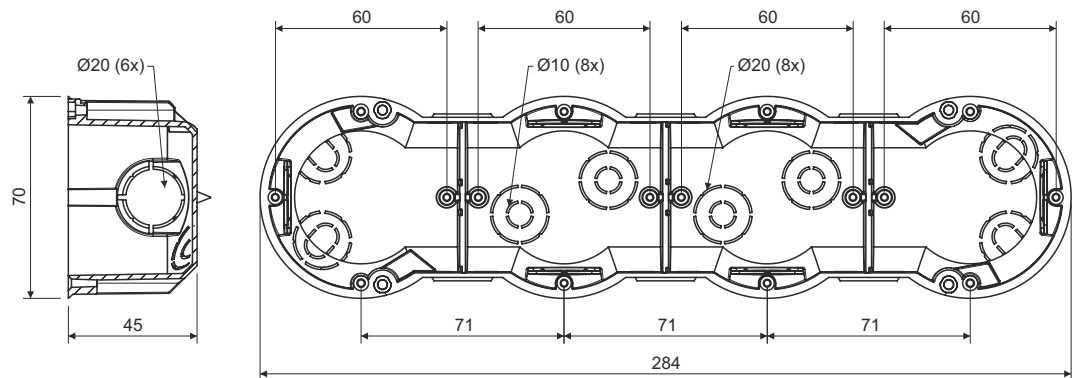


junction box

KP 64/4

product description:

designed for distribution system with voltage 400 V and with maximum current 16 A
for modern installations in combined frames (spacing 71 mm)
significant rigidity makes device installation easier

material: PVC

color: gray

self-snuffing: yes, within 30 s

temperature resistance: -5 - +60 °C

flaming loop test: 850 °C

fire class for underlying material: A1-D

weight: 140 g

certification: EN 60 670-1

storage: ČSN 64 0090

configuration:

KA - two boxes packed in shrink foil and covered with label, device screws included in the bag, 28 boxes placed in cardboard

accessories:

extending frames NR 68/6, NR 68/10

screwless terminal plates TYP015, TYP016, TYP017, TYP018

auxiliary tools:

non-hammered masonry cutter FR 68 SDS